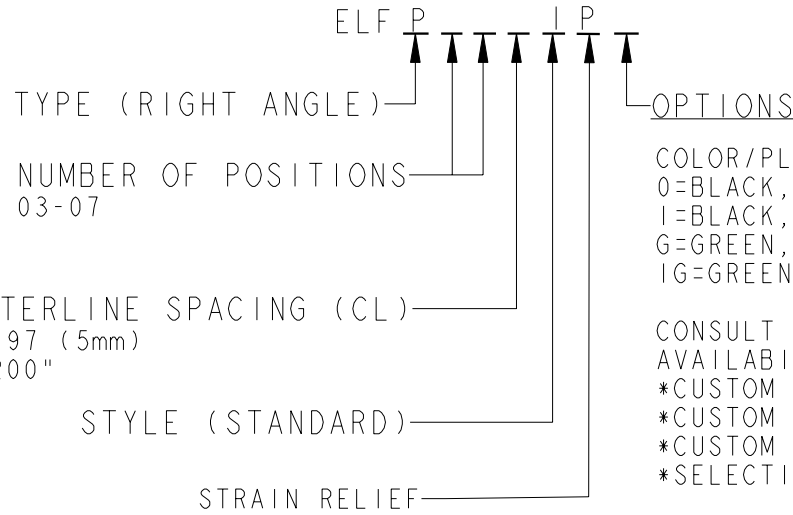


REV	ECN	APP'D
-	5297	

ELFP SERIES PART NUMBERING SCHEME



- OPTIONS**
- COLOR/PLATING
 - 0=BLACK, TIN-LEAD (STANDARD)
 - 1=BLACK, SELECTIVE GOLD
 - G=GREEN, TIN-LEAD
 - IG=GREEN, SELECTIVE GOLD
 - CONSULT PCD FOR PART NO. AND AVAILABILITY OF FOLLOWING OPTIONS:
 - *CUSTOM COLORS
 - *CUSTOM MARKING
 - *CUSTOM KEYING
 - *SELECTIVE CONTACT LOADING

RU RATINGS

CURRENT - 15A
 VOLTAGE - 300V
 U.L. FILE NO. E83421

SP RATINGS

CURRENT - 15 A
 VOLTAGE - 300 V
 CSA FILE NO. LR69703

DIN VDE 0627:1986
 DIN VDE 0110-1:1989
 EN 60947-1:1991
 EN 60947-7-1:1992

CURRENT -15 A
 VOLTAGE - 300 V
 TUV FILE NO. 20396

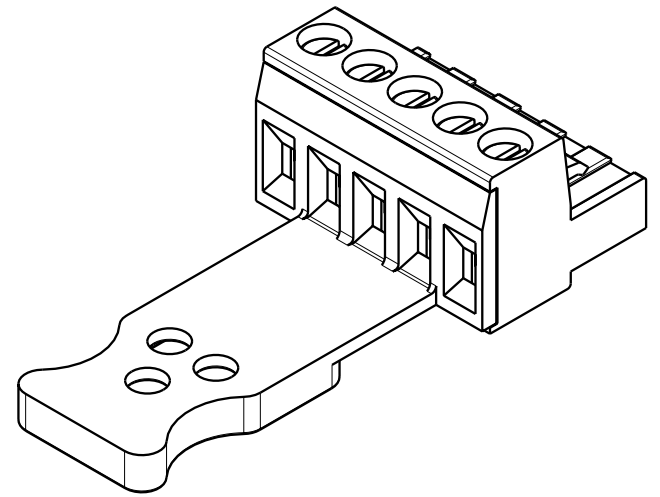
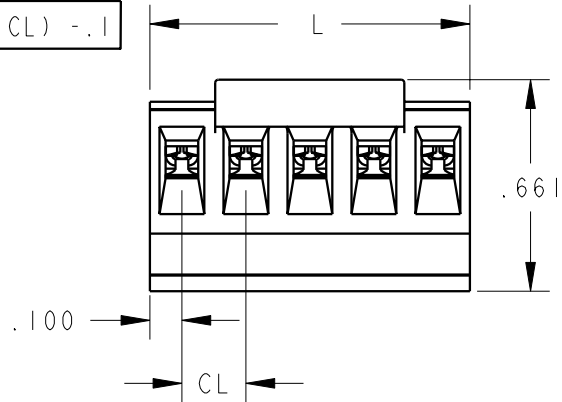
INSTALLATION RECOMMENDATIONS:
 WIRE RANGE: AWG #14-26, STRANDED OR SOLID; AWG #12 STRANDED
 WIRE STRIP LENGTH: .310"
 TIGHTENING TORQUE: 7 LB-IN.

MATERIALS:
 HOUSING: PPO, UL 94 V-0
 CONTACT: COPPER ALLOY, OPTIONAL FINISH
 SCREW: STEEL, NICKEL FINISH
 WIRE CLAMP: COPPER ALLOY, NICKEL FINISH

MAX OPERATING TEMPERATURE:
 105°C

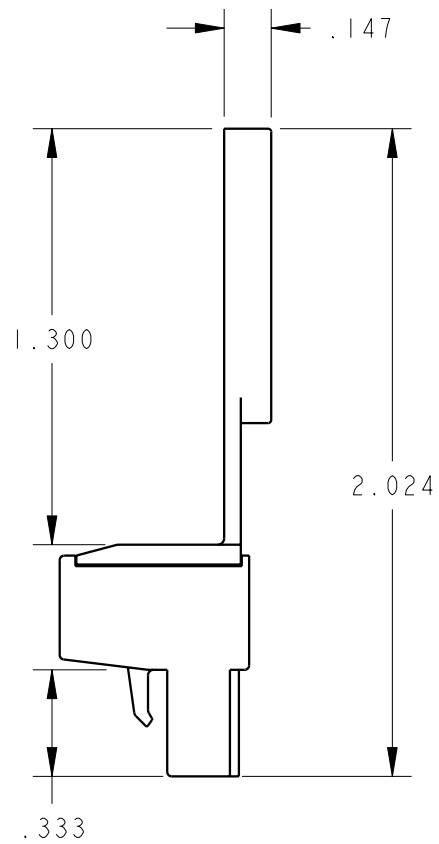
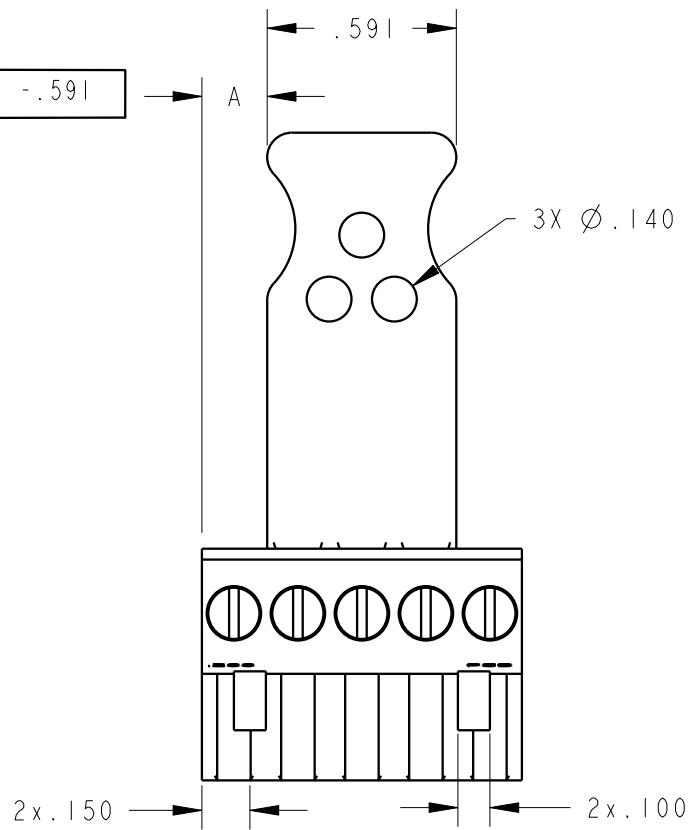
DIMENSIONS ANSI Y14.5M UNITS: INCHES Pro/E FILE	TOLERANCES .XX ±0.01 .XXX ±0.005 ANGLES ±1.0°	PROJECTION 	AMPHENOL PCD		TITLE ELFP SERIES PLUG WITH STRAIN RELIEF, RIGHT ANGLE		
			ENGR R. NEWMAN 09/02/03		SIZE A	DWG NO. ELFP0311P0	
ORIGINAL STAMPED IN RED	THIS DOCUMENT CONTAINS PROPRIETARY INFORMATION WHICH IS THE CONFIDENTIAL PROPERTY OF PCD, INC. PEABODY, MA, USA		CHKD		CODE: 58982		SCALE: NONE
			APPD		SHEET 1 OF 2		

$$L = (\text{NUM OF POS} \times \text{CL}) - .1$$



P/N ELFP0511P0 SHOWN

$$A = L - .591$$



SIZE	DWG NO.	REV
A	ELFP0311P0	-
CODE: 58982	SCALE: NONE	SHEET 2 OF 2